






AC1X34-5i / AC1234-5i A/C service unit

ROBINAIR®

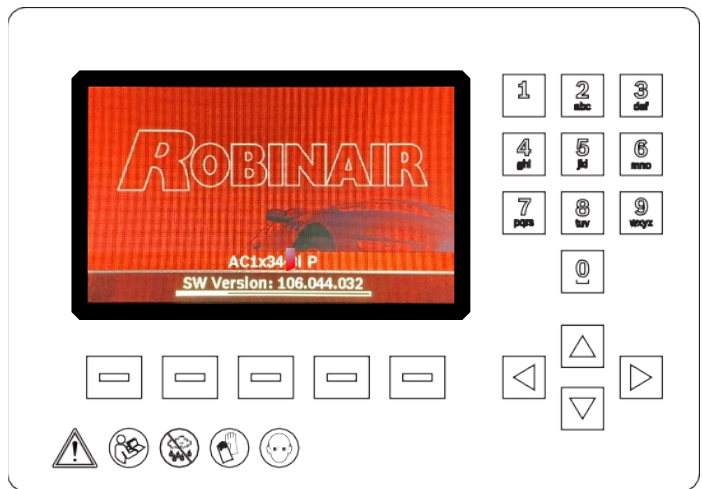


Quick Start and Setup Guide

Control panel functions

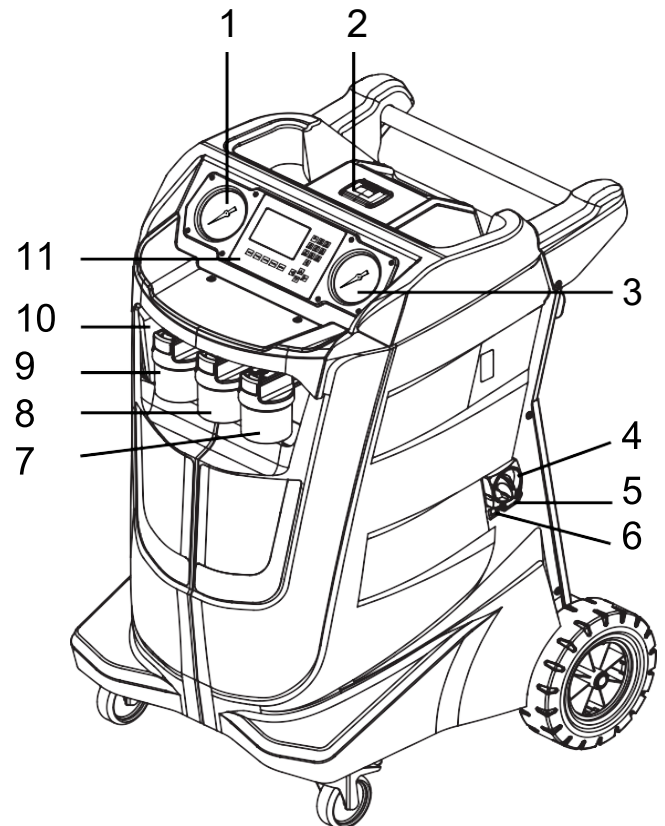
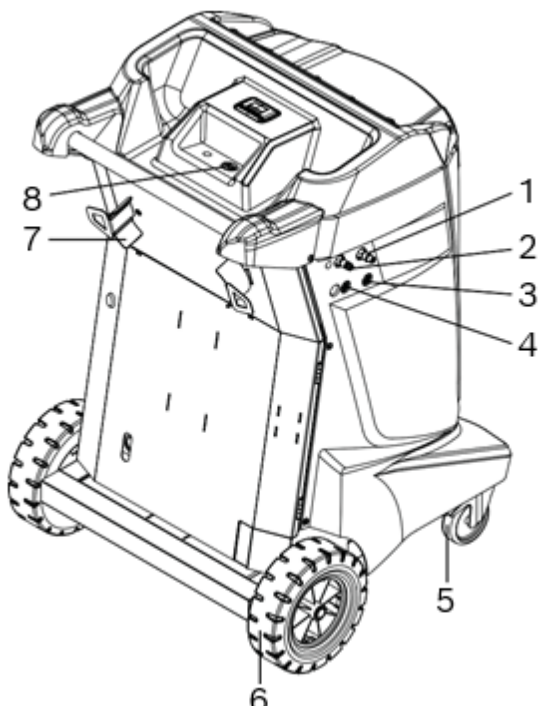
Symbol	Description
	UP ARROW to select the previous option of a menu.
	DOWN ARROW to select the next option of a menu.
	RIGHT ARROW to scroll to the next screen.
	LEFT ARROW to scroll to the previous screen.
	SELECTION KEYS (function keys) to select the functions shown on the display (lower icons).
0...9 A...Z	The input keys can be used to enter letters, numbers, and special characters in the input fields.

Control panel



Front view AC1X34-5i / AC1234-5i

- 1 Low pressure (LP) gauge
- 2 Printer
- 3 High pressure (HP) gauge
- 4 Main switch
- 5 Power socket
- 6 Resettable fuse
- 7 UV dye bottle
- 8 New oil bottle (POE)
- 9 New oil bottle (PAG)
- 10 Exhausted oil bottle
- 11 Control panel and display



Rear view AC1X34-5i / AC1234-5i

- 1 Flush connection (high pressure*)
 - 2 Flush connection (low pressure*)
 - 3 Connection for service hose (high pressure*)
 - 4 Connection for service hose (low pressure*)
 - 5 Front wheels with parking brake
 - 6 Rear wheels
 - 7 Hose support
 - 8 2 x USB port 2.0
- (*) max 25 bar (2.5 Mpa)

Icon Keys

Symbol	Description
	HELP to view information about the current screen.
	MENU to access additional functions and parameters.
	AUTO to activate a menu that facilitates the setting of an automatic recovery/vacuum/loss check/charge function.
	RECOVERY to activate the refrigerant recovery sequence from the A/C system of the vehicle.
	VACUUM to activate the vacuum function in the A/C system of the vehicle to remove air and condensate.
	CHARGE to activate the charge sequence of the A/C system of the vehicle with a programmed amount of refrigerant.
	DATABASE to view information about the amount of charge according to the model of the vehicle.
	NEXT to switch to the next screen or process.
	BACK to return to the previous screen or process.
	ON/OFF to enable or disable the selected function.
	OK to confirm, proceed, or save settings.
	ESC to cancel the operation and return to the previous function or the Main Menu.
	UP allows to move the functions selection of a menu upward.
	DOWN allows to move the functions selection of a menu downward.
	PRINT to print (only for variants with printer).
	BACKSPACE to erase the character to the left of the cursor.
	PAUSE to pause a process.
	PLAY to resume a paused process.
	REPEAT to repeat the last function.
	DELETE to delete the selected item from the station memory.
	BLUETOOTH indicates that the Bluetooth connection is enabled.
	WIFI indicates that the WiFi connection is enabled.
	HS LS to set which side to charge (high pressure, low pressure or both sides).
	ml oz to set the unit of measurement (ml or oz).
	kg oz lb to set the unit of measure (kg, oz or lb).
	USB to export data to a USB key.

Setup Menu

Functions Menu

1. Call up the Main Menu.
2. Select **>>**.
3. Select **≡**.

¶ Select **Functions** to access the following functions.

Function	Description
A/C Performance Test	Performs a pressure test on an A/C system of a vehicle inside which refrigerant is already present.
Flush Hoses	To clean the station from oil residues in preparation for maintenance of the next vehicle.
System Flush	Provides a method for removing oil by forcing liquid refrigerant through the A/C system or components of an A/C system. After flushing, the refrigerant is recovered from the machine and filtered by the recirculation circuit.
Tank Fill	To transfer the refrigerant from an external tank to the internal tank. The tank refill value can be adjusted according to the user's needs. Refer to the Tank refilling procedure in the Maintenance section.
Refrigerant Tracking	To store the amount of refrigerant recovered and charged for each vehicle. The display shows five selection options: R Display: to display the recovered and charged refrigerant data. R Export to USB: to export the report with the amount of refrigerant recovered and charged on the vehicle. The data is exported via USB stick, recommended size at least 2 GB and formatted FAT (key not supplied). The data is transferred as a .csv file. R Erase all records: to delete all the data stored on the station. R Print all records: to print all the data stored on the station. R Disable Tracking: to disable the refrigerant report function.
Change Oil Type	To flush the oil injection port in case of oil change. Plug the bottle to be used (PAG or POE) into the oil injection port, before starting the function.

¶ Select **<<** to return to the Setup Menu.

Settings Menu

Function	Description
Select Language	Select a language from the displayed ones. The default language is English.
Select Units	To program the machine to display metric or imperial values. The default view is in metric system.
Date and Time	To program the current time and date in the station.
Edit Print Header	Programs the information that appears in the print summary every time the print function is used.
Unit Activation	Since 2021 no longer required.
Default Vacuum Leak Test Time	To change the vacuum time for the leak test.
Set Buzzer	To enable or disable the acoustic signal.
Firmware Update	To upgrade the firmware through a USB stick or WiFi (with Robinair WiFi dongle - optional -). The display shows three selection options: R Check for Update: to check if new firmware updates are available. R USB Update: to upgrade the firmware through a USB stick. R Wi-Fi Update: to upgrade the firmware through WiFi network. If the station is connected to the WiFi network and the WiFi network is connected to the Internet, the search for new updates will automatically start.
WiFi Configuration	To configure the WiFi connection on the station. The display shows five selection options: R Search WiFi Networks: to search for available WiFi networks. R WiFi Status: to display some data related to the WiFi connection used. R Test WiFi connection: to perform a connection test on the wireless network used by the station. R Disconnect current network: to disable the WiFi network connection stored on the station. R Manual Connect: to perform manual scan and selection of WiFi network.
Asanetwork	To activate or deactivate the Asanetwork function. Information can be obtained from the service department.
Connected Repair [CoRe]	To activate or deactivate the CoRe function. See Connected Repair [CoRe] in the Initial Settings section.

↑ Select << to return to the Setup Menu.

Maintenance Menu

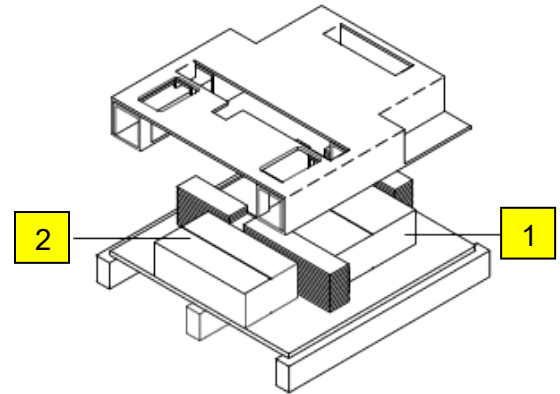
Function	Description
Filter Maintenance	The filter removes acids, particles and condensate from the refrigerant. To meet the requirements, it is mandatory to replace the filter after 68 kg (150 lb) of refrigerant has been filtered. This menu item displays the remaining capacity of the filter before the station is stopped and stops operating. See Filter Maintenance in the Maintenance section.
Pump Maintenance	This menu item displays the remaining time until the next oil change of the vacuum pump. To obtain the best performance from the vacuum pump, replace the oil every time the filter is replaced. See Vacuum pump oil change in the Maintenance section.
ISV Purge condition	Displays the pressure and temperature in the refrigerant tank. It is used to eliminate incondensable gases and helps to limit the pressure in the refrigerant tank.
Calibration Check	To check the calibration of the internal scale. See Checking the calibration in the Maintenance section of this manual.
Display Title Info	To activate or deactivate the station pressure displaying.
System Information	Displays the revision level of the station software.
Service Menu	Reserved for use by Robinair service centers.
Production Menu	Reserved for use by Robinair technicians only.

↑ Select << to return to the Setup Menu.

Initial Setup

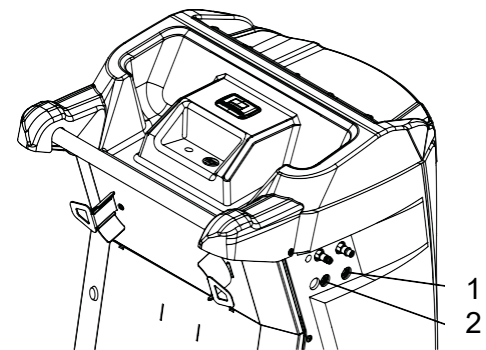
Removing transportation packaging


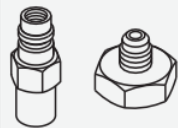

1. Remove the bands wrapping the cardboard.
2. Remove the cardboard.
3. Lift one side of the unit to remove the front wheels out of the base.
4. Cautiously pull the unit from the rear handle making sure to have a firm grip.
5. Lower it off slowly from the pallet trying to avoid sudden bumps.
6. Remove the cardboard containing the **2 accessory** kits from the station packing and remove the accessories
7. Check the storage on the machine for optional extras.



Unpack the Accessory Kit

Unpack the accessory kit from the box and remove the plastic packaging. Install the oil drain bottle as shown, lubricate the neck of the bottle before installing and do not force the bottle into the coupler.



Accessories kit			
Calibration weight 533 g (optional)		External cylinder adapters for tank filling (2)	
Service hoses (2)		Four bottles: oil drain, PAG, POE oil and Dye bottles	
Power cable			
User manual			

Service hoses connection (HP and LP)
Connection for service hose (high pressure) (1)
Connection for service hose (low pressure) (2)

Service hoses connection

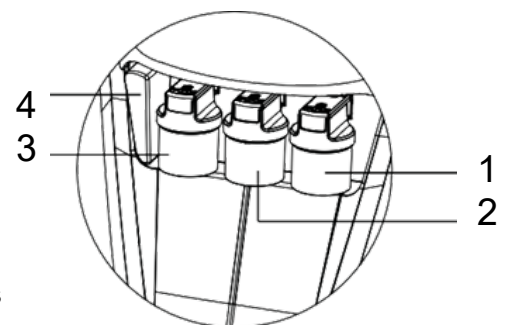
Connect the service hoses included in the supply with the high pressure and low pressure (HP and LP) quick connections.

Add oil Dye to the bottles

Fit the 4 bottles, oil drain, compressor oil for PAG, POE and Dye. Fill to maximum to the "MAX FILL" line.

Secure them, make sure that each of them is aligned with the respective bracket/fitting and have a slight pressure in the straight direction to the station.

Only use Robinair UV Dye. This prevents chemical incompatibility with the station internal components. In the event of problems and failures due to non-approved liquids, the warranty will be void.



Power Up the Machine

Place the station so that the plug and power switch are at the operator's reach.

Make sure that the ventilation grille, on the rear of the station, is not obstructed.

Lock the front wheels.

Press the mains power supply switch **ON** to switch on the AC1X34-3i.


Language selection

Choose the user interface language.

The default language is English.

Use the Up or Down arrow button to scroll through the available languages, one line at a time.

Select **✓** to set the selected language.

 The first time that the station is switched on, the Software displays the license agreement after the language selection, please read the agreement, this must be accepted by the user with **✓**

Unit of measurement selection

Set the units of measurement to be displayed. The default is metric units. Use the Up or Down arrow button to select between the metric or imperial system.

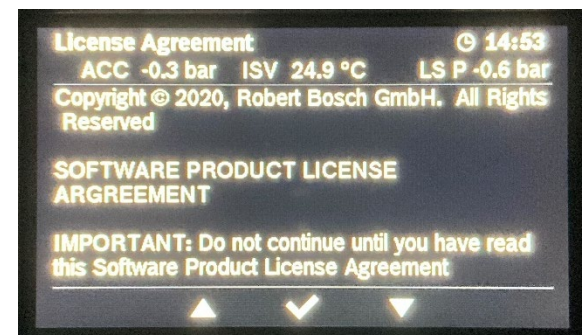
Select **✓** to make the unit of measurement displayed effective.

Setting the date and time

Use the arrow buttons to move the cursor. Use the keypad to change the displayed information.

Use the Up or Down arrow buttons to change the item displayed: day, month, year, or time.


Use the multi-touch interface on the numeric keypad to change the information. Select **✓** to save.




Initial Setup

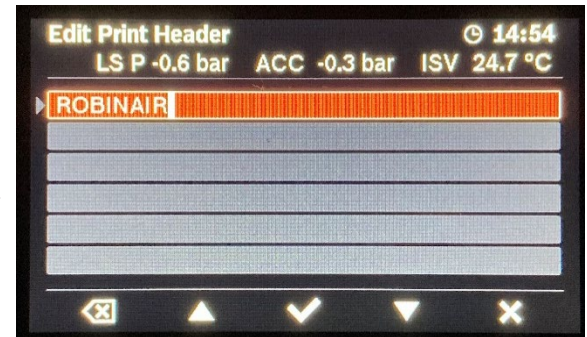
Edit Print header

The company information loaded in Print header will appear on each print.

Enter the text using the arrow buttons and the multi-touch Interface on the numeric keypad: the button  acts as a backspace key.

The **Right** or **Left** arrows button moves the cursor to the right or left. The **Zero** (0) key also acts as a space bar.

To navigate within the rows, use the **Up** and **Down** arrow keys. Select  to save.




Automatic internal clearing

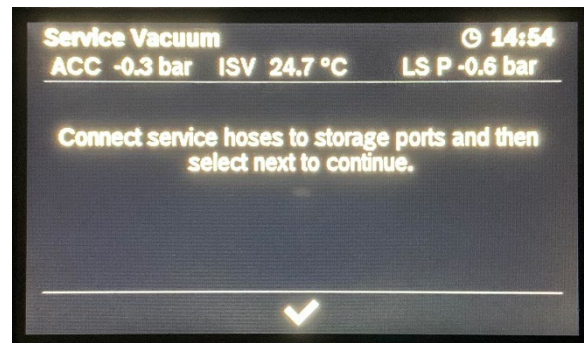
At this point the station cleans its inner hoses before proceeding with the settings.


Check the oil level in the vacuum pump through the sight glass at the rear of the machine.

When the message is displayed, connect the station service hoses to the flushing connections.

Open the service hose connections turning the ring nuts clockwise. Select .


The station cleans its internal hoses and then emits a beep. When the process is completed.

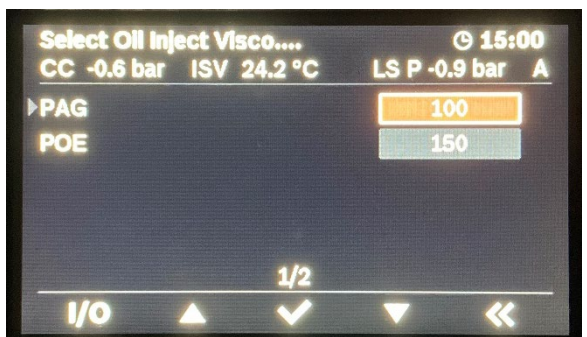


 A progress bar will indicate the remaining time to complete the function. This is a critical part of the setup process and required to ensure correct operation of the machine, do not cancel the function until complete.



Programming the oil injection

Program in the viscosity of the oil to be used for both **PAG** and **POE**. Toggle the **I/O** key and select the viscosity of the oil to be used 46, 100, 125 etc. select  to complete.



Tank filling

This procedure transfers refrigerant from an external cylinder to the AC station internal tank. The operational capacity of the internal tank is 8.8 kg.

Use the arrow buttons to move the cursor; use the keypad to enter a value.

The station displays the fields to enter the desired amount of refrigerant, the rechargeable amount of refrigerant and the amount of refrigerant which can be recovered inside the internal tank.

Enter the desired amount of refrigerant to add and select ✓ to continue.

- Add at least 4 kg of refrigerant on initial fill to make sure that the quantity available is enough for best operation of the machine.

Connect the low pressure service hose (blue) to the **liquid** fitting on the external cylinder.

Open the valve of the connection on the hose turning the ring nut clockwise.

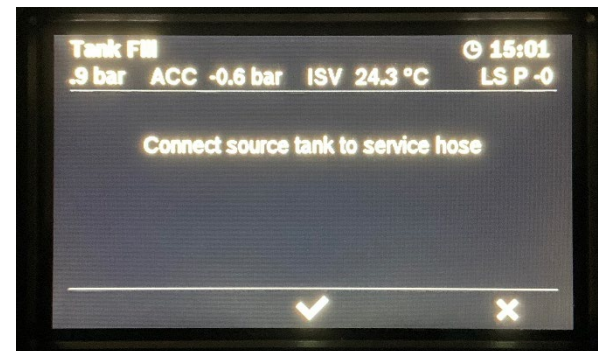
Place the external cylinder in such a way that liquid refrigerant flows into the connection.

Open the external tank valve.

Select ✓ to start filling the internal tank.

The station starts filling the internal storage tank.

This may take up to 30 minutes depending on ambient conditions and fill amount desired.



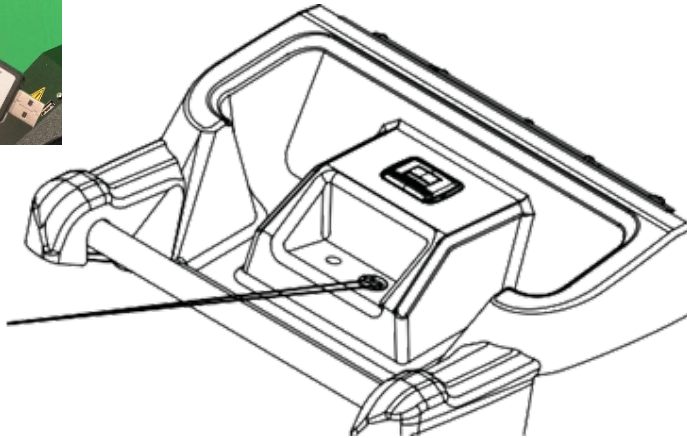
The Home screen will appear when the setup is complete

Initial Setup

Wifi Configuration

Carefully insert the WiFi dongle (optional) into the **USB** connector of the station.

Turn on the station to pair the dongle with the WiFi.



USB ports

Call up the **Main Menu**.

Select **>>** Select **≡**, Select Settings.

Select WiFi Configuration.

Select Search WiFi Networks and wait a few seconds to display the available networks.

Select the network associated with your business, use the Up or Down arrow buttons and confirm with **✓**.

Enter the router WiFi password, confirm with **✓** and wait for the connection to be established.

